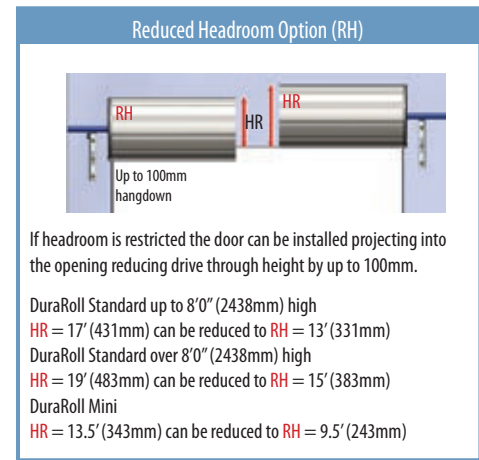
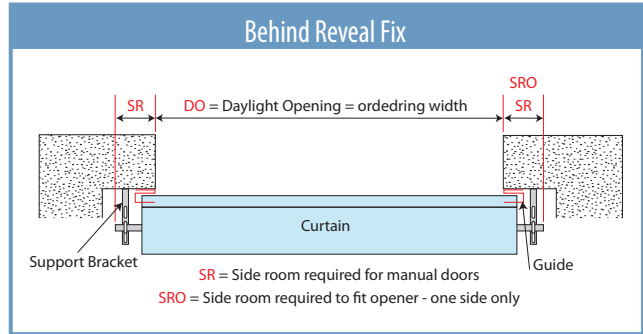
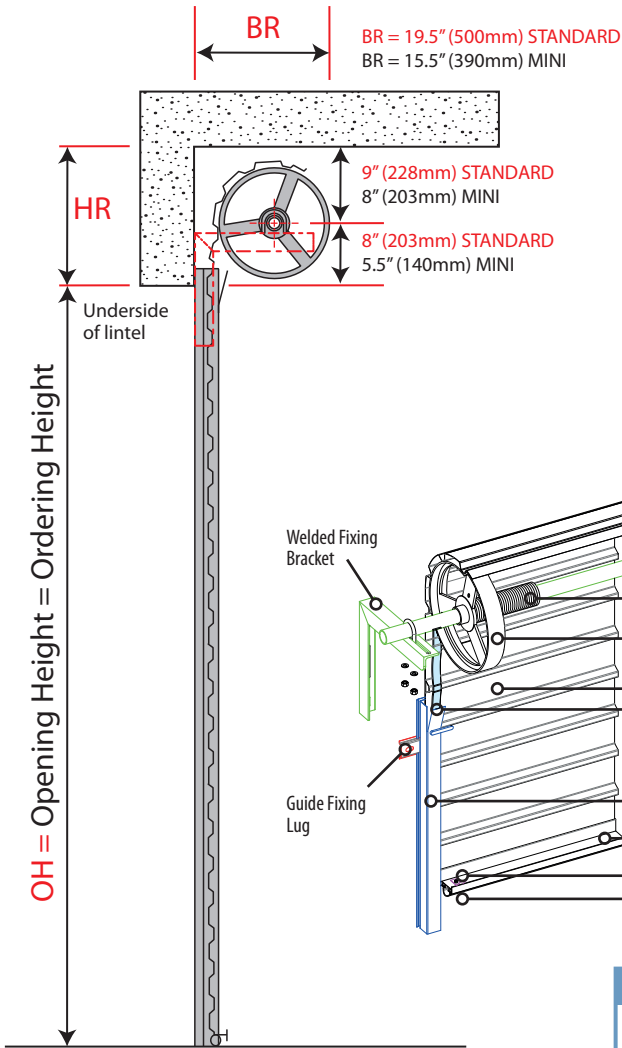
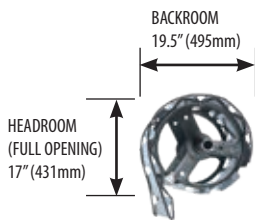


DuraRoll Standard & DuraRoll Mini



Guides

30mm guides are supplied on doors up to 9'6" (2896mm) wide x 8'0" (2438mm) high
 50mm guides are supplied on doors over 9'6" (2896mm) wide and over 8'0" (2438mm) high



Standard DuraRoll - standard brackets 30mm guides

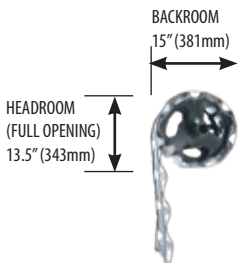
HEADROOM	SIDEROOM WITHOUT OPENER	SIDEROOM WITH OPENER	BACKROOM
HR	SR	SRO	BR
17" (431mm)	3.75" (95mm)	5" (125mm)	19.5" (495mm)

On doors 8'-10' high a minimum of 19" (483mm) headroom is required.
 Doors with 50mm guides require an additional 20mm sideroom.

Standard DuraRoll - notched brackets 30mm guides

HEADROOM	SIDEROOM WITHOUT OPENER	SIDEROOM WITH OPENER	BACKROOM
HR	SR	SRO	BR
17" (431mm)	3.00" (76mm)	5" (125mm)	19.5" (495mm)

On doors 8'-10' high a minimum of 19" (483mm) headroom is required.
 Doors with 50mm guides require an additional 20mm sideroom.



Mini DuraRoll - standard brackets 30mm guides

HEADROOM	SIDEROOM WITHOUT OPENER	SIDEROOM WITH OPENER	BACKROOM
HR	SR	SRO	BR
13.5" (343mm)	3.75" (95mm)	6.75" (170mm)	15" (381mm)

DuraRoll Mini Roller is available up to 10' x 7' (3048 x 2134mm).
 Doors with 50mm guides require an additional 20mm sideroom.

Mini DuraRoll - notched brackets 30mm guides

HEADROOM	SIDEROOM WITHOUT OPENER	SIDEROOM WITH OPENER	BACKROOM
HR	SR	SRO	BR
13.5" (343mm)	3.00" (76mm)	6.75" (170mm)	15" (381mm)

DuraRoll Mini Roller is available up to 10' x 7' (3048 x 2134mm).
 Doors with 50mm guides require an additional 20mm sideroom.

Floor rebate

To help assist water draining away effectively from the door and prevent water ingress you must have a rebate. If your floor is not rebated and not sloping away from the door you will be susceptible to water ingress as water will not be able to drain away effectively.

- **10mm minimum high rebate behind the door threshold or where your door seal meets a level floor.**
- **It must run 130mm past the opening to accommodate the guides**
- **It must run 130mm into the opening to accommodate the guides.**

